

# FIRE ALARM SYSTEM FOR: YOUR PROJECT NAME HERE 1234 STREET AVE

YOUR COMPANY LOGO  
HERE

COPYRIGHT © 2021 BY TEXAS FIRE SERVICES. REPRODUCTION OF THE MATERIAL HEREIN OR SUBSTANTIAL QUOTATION OF ITS PROVISIONS WITHOUT THE EXPRESS WRITTEN PERMISSION OF YOUR COMPANY VIOLATES THE COPYRIGHT LAWS OF THE UNITED STATES AND WILL SUBJECT THE VIOLATOR TO LEGAL PROSECUTION.  
  
WARNING: UNLICENSED PHOTOCOPIING VIOLATES U.S. COPYRIGHT LAWS AND WILL SUBJECT THE VIOLATOR TO LEGAL PROSECUTION.

DEVICE LEGEND							
SYMBOL	QTY	MANUFACTURER	PART NO.	DESCRIPTION	SIZE	MOUNTING	BOX
	1	AUTOCALL	A009-9601	4000 8VDC RECHARGEABLE BATTERY (RED) PROVIDES A SINGLE 7.5A 8VDC SLC OUTPUT, 200 MA MAXIMUM POWER OUTPUT, AND BATTERY CHARGER.	16-14"W, 13-12"H, 4-3/8"D	MOUNT 80" A.F.F. TO TOP OF BACK CAN	
	2	AUTOCALL	2081-9272	SYSTEM BATTERIES, SEALED LEAD-ACID, 6.2 AH	6-18"W, 2-5/8"D, 4"H	INSTALLED INSIDE FIRE ALARM CONTROL PANEL CABINET	
	1	AUTOCALL	A007-9201	4007ES WITH A 3-A, CLASS B, 8VDC SLC FOR UP TO 121 ADDRESSABLE NOTIFICATION APPLIANCES, AND 4 OUTPUT POWER SUPPLY/STROBE CHARGER, INCLUDES SNET+ COMMUNICATIONS FOR 100 ADDRESSABLE POINTS (SEE)	20-3/16"H X 20-7/8"W X 4-7/16"D	MOUNT 72" A.F.F. TO TOP OF BACK CAN	
	22	AUTOCALL	A4098-9714 W/A4098-9792	TRUEALARM PHOTOELECTRIC SMOKE DETECTOR WITH TRUEALARM SENSOR STANDARD BASE		CEILING MOUNT, FOR DROP CEILING USE CADDY BAR 512 OR EQUAL	4" OCTAGON BOX
	2	AUTOCALL	A4098-9733 W/A4098-9792	TRUEALARM HEAT DETECTOR WITH TRUEALARM SENSOR STANDARD BASE (ENVIRONMENTAL RATED)		CEILING MOUNT, FOR DROP CEILING USE CADDY BAR 512 OR EQUAL	4" OCTAGON BOX
	11	AUTOCALL	A4098-9733E	TRUEALARM HEAT DETECTOR WITH TRUEALARM SENSOR STANDARD BASE (ENVIRONMENTAL RATED)		CEILING MOUNT, FOR DROP CEILING USE CADDY BAR 512 OR EQUAL	4" OCTAGON BOX
	3	AUTOCALL	A4099-9006	ADDRESSABLE MANUAL PULL STATION DOUBLE ACTION, PUSH OPERATION		TOP OF BACK BOX AT 48" A.F.F.	4" SQUARE WIRING JUNG MLC BING PROVIDED WITH PULL STATION
	2	POTTER	RMS-1T-WP	RMS-WP SERIES WEATHER-PROOF FIRE ALARM PULL STATIONS		TOP OF BACK BOX AT 48" A.F.F.	4" SQUARE BOX 2-1/8" DEEP PROVIDED WITH PULL STATION
	1	AUTOCALL	A4090-9001	IDNET ADDRESSABLE SUPERVISED MODULE IAM		AS INDICATED ON DRAWINGS - FIELD VERIFY	4" SQUARE BOX 2-1/8" DEEP
	2	AUTOCALL	A4090-9001	SUPERVISED IAM, ENCAPSULATED WITH WIRE LEADS		AS INDICATED ON DRAWINGS - FIELD VERIFY	4" SQUARE BOX 2-1/8" DEEP
	2	AUTOCALL	A4090-9001 W/A4090-9001-O	AUDIBLE/VISIBLE WEATHERPROOF NOTIFICATION APPLIANCES, WALL MOUNT MULTI-CANDELA HORN/STROBE, WHITE, ALBERT	5 1/2" H X 8 1/2" W X 1 1/2" D	BOTTOM OF BACK BOX AT 82" A.F.F.	SURFACE MOUNT WEATHERPROOF MOUNTING BOX 5-1/2" DEEP
	17	AUTOCALL	A4090-9001 W/A4090-9001-W	AUDIBLE/VISIBLE NOTIFICATION APPLIANCES, MULTI-TONE HORN/STROBE WITH 520 HZ OUTPUT WHITE		BOTTOM OF BACK BOX AT 82" A.F.F.	4" SQUARE BOX 5-1/2" DEEP
	5	AUTOCALL	A4090-9001 W/A4090-9001-W	VISIBLE NOTIFICATION APPLIANCES, CEILING MOUNT MULTI-CANDELA STROBE, WHITE, FIRE WEATHERPROOF		CEILING MOUNT, FOR DROP CEILING USE CADDY BAR 512 OR EQUAL	4" SQUARE BOX 1-1/2" DEEP
	2	AUTOCALL	A4090-9001 W/A4090-9001-W	VISIBLE NOTIFICATION APPLIANCES, CEILING MOUNT MULTI-CANDELA STROBE, WHITE, FIRE WEATHERPROOF		CEILING MOUNT, FOR DROP CEILING USE CADDY BAR 512 OR EQUAL	4" SQUARE BOX 1-1/2" DEEP
	1	GENERIC	KITCHEN HOOD SYSTEM	KITCHEN HOOD SYSTEM			

**SUPERSCRIPTS:**

EX EXISTING	G PROTECTIVE GUARD
DR DOOR RELEASE	FS FLOW SWITCH
SEC SECURITY RELAY	TS TAMPER SWITCH
PC PROTECTIVE COVER	PS PRESSURE SWITCH
PA PASOUND SHUT DOWN	FSD FIRE SMOKE DAMPER
FAN CEILING FAN SHUT DOWN	DH DOOR HOLDER
ARS ADA ROOM STROBES RELAY	ER ELEVATOR RECALL
FP1 FIRE PUMP MOTOR RUNNING	ES ELEVATOR SHAFT
FP2 FP3 FIRE PUMP LOSS OF PHASE	EP ELEVATOR PIT
FP3 FIRE PUMP PHASE REVERSAL	PRI PRIMARY FLOOR RECALL
FP4 FIRE PUMP CONTROLLER	ALT ALTERNATE FLOOR RECALL
SP STAIR PRESSURIZATION	HAT FIRE HAT LIGHT
DM DAMPER MONITOR	PMON POWER MONITOR
RMON RISER MONITOR	SHTR SHUNT TRIP

**SOUND PRESSURE LEVEL NOTE**

Location  
Business occupancies 54

Average Ambient Sound Level (dBA)  
REQUIRED SPL = 69

SLEEPING ROOM AREAS (DORMS)  
SPL FOR SLEEPING AREAS TO BE 75 db AT THE PILLOW

AN AVERAGE AMBIENT SOUND LEVEL GREATER THAN 105 dBA SHALL REQUIRE THE USE OF VISUAL NOTIFICATION APPLIANCES.

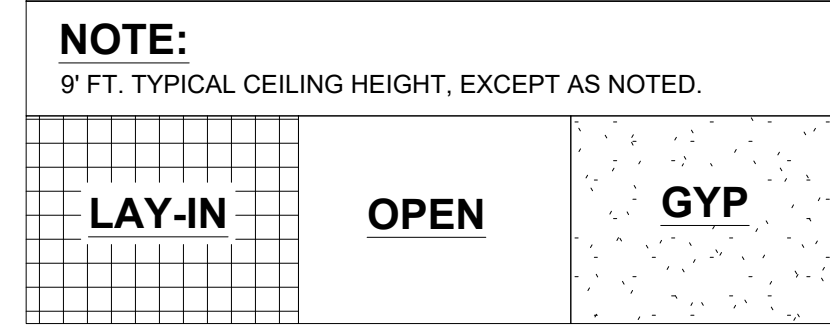
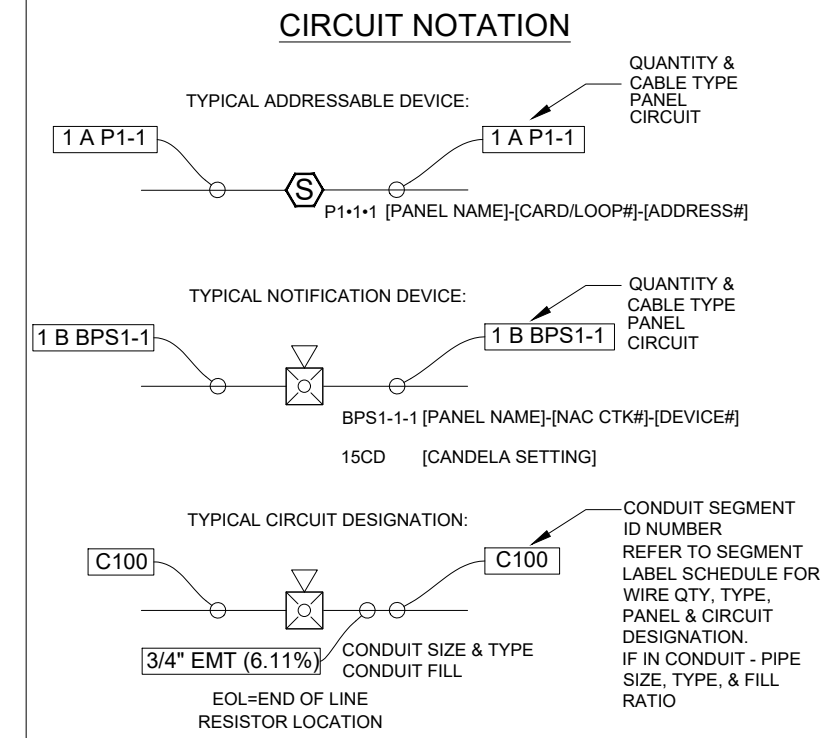
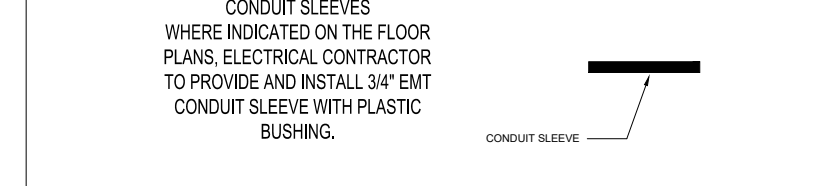
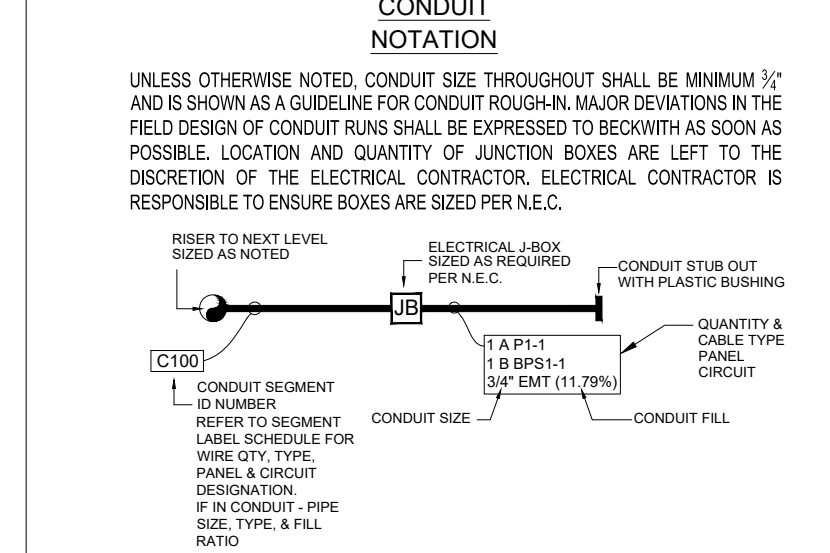
THE TOTAL SOUND PRESSURE LEVEL PRODUCED BY COMBINING THE AMBIENT SOUND PRESSURE LEVEL WITH ALL AUDIBLE NOTIFICATION APPLIANCES OPERATING SHALL NOT EXCEED 110 dBA AT THE MINIMUM HEARING DISTANCE.

**SCOPE OF WORK:**

- FIRE ALARM CONTRACTOR SHALL INSTALL A NEW FULLY COMPLIANT NFPA 72 FIRE ALARM SYSTEM THROUGHOUT ALL AREAS OF THIS BUILDING AS INDICATED ON THESE DRAWINGS.
  - THIS SYSTEM SHALL CONSIST OF COMPLETE DETECTION
  - THIS BUILDING IS NOT PROTECTED BY AN APPROVED AUTOMATIC SPRINKLER SYSTEM
  - THIS SYSTEM SHALL CONSIST OF FULL AREA HORN/STROBE NOTIFICATION
  - THIS SYSTEM SHALL CONSIST OF MANUAL FIRE ALARM BOXES.

**GENERAL NOTES**

- SMOKE DETECTOR LOCATIONS ARE GENERAL. THE FOLLOWING RULES MUST BE OBSERVED FOR SMOKE DETECTOR PLACEMENT.
  - SMOKE DETECTORS SHALL NOT BE INSTALLED CLOSER THAN 3' FROM AN AIR CONDITIONING VENT.
  - IN ROOMS SMALLER THAN 30'x30' THE DETECTOR SHALL BE CENTERED IN THE ROOM WHILE MAINTAINING THE ABOVE RULE.
  - WHERE MULTIPLE DETECTORS ARE SHOWN, DETECTORS SHALL BE INSTALLED NO FURTHER THAN 30' FROM EACH OTHER NOR ANY FURTHER THAN 15' FROM A SIDE WALL WITHOUT APPROVAL FROM TEXAS FIRE SERVICES.
  - PER NFPA 72 DETECTORS SHALL NOT BE INSTALLED UNTIL AFTER THE CONSTRUCTION CLEAN-UP OF ALL TRADES IS COMPLETE AND FINAL. EXCEPTION: WHERE REQUIRED BY THE AUTHORITY HAVING JURISDICTION FOR PROTECTION DURING CONSTRUCTION. DETECTORS THAT HAVE BEEN INSTALLED PRIOR TO FINAL CLEAN-UP BY ALL TRADES SHALL BE CLEANED OR REPLACED IN ACCORDANCE WITH NFPA 72.
- WIRE NOTES ARE AS FOLLOWS:
  - WIRING SHALL BE PER PLAN WITH RESPECT TO CONDUCTOR SIZE, TYPE, QUANTITIES AND COLOR CODE.
  - ALL CABLES SHALL BE MARKED WITH A PERMANENT LABEL AT ALL DEVICES, JUNCTION BOXES, AND FACP.
  - ALL WIRING BETWEEN FLOORS SHALL BE INSTALLED IN CONDUIT.
  - AUDIBLE/VISIBLE CIRCUIT WIRING IS SUPERVISED. NO PARALLEL BRANCHING IS PERMISSIBLE.
- RACEWAY NOTES ARE AS FOLLOWS:
  - CONDUIT SHALL BE SIZED PER NFPA 70 CONDUIT FILL REQUIREMENTS.
  - INSTALLATION MATERIALS (I.E. CONDUIT, WIRES, FITTINGS, HANGERS, STANDARD BOXES, FIBER OPTICS CABLE, FITTINGS, AND ASSOCIATED EQUIPMENT ARE NOT SUPPLIED BY TEXAS FIRE SERVICES.
- 120VAC NOTES ARE AS FOLLOWS
  - PRIMARY POWER SHALL BE FROM A 120VAC DEDICATED 20 AMP CIRCUIT PROVIDED BY ELECTRICAL CONTRACTOR TO ALL PANEL LOCATIONS AS SHOWN ON PLANS.
  - THE 120VAC POWER SUPPLYING FIRE ALARM SYSTEM PANELS MUST COMPLY WITH ARTICLE 725 AND 760 OF NFPA 70, N.E.C. AND NFPA 72, IN REFERENCE TO DEDICATED BRANCH POWER SOURCES.
  - 120VAC POWER SHALL NOT BE APPLIED TO FIRE ALARM PANEL WITHOUT DIRECT SUPERVISION OF A TEXAS FIRE SERVICES TECHNICIAN.
- INSTALLATION SHALL BE IN STRICT CONFORMANCE WITH THE NATIONAL ELECTRICAL CODE, LOCAL CODE(S), AND/OR AUTHORITY HAVING JURISDICTION.
- ALL PANEL NUMBERS AND CIRCUITS ARE REQUIRED TO BE DOCUMENTED BY THE INSTALLER, ON THE RECORD DRAWINGS SET. INSTALLING CONTRACTOR SHALL RETURN ONE SET OF ACCURATELY MARKED DRAWINGS FOR "AS-BUILT" PURPOSES. THESE DRAWINGS SHALL ALSO INDICATED ANY CHANGES TO ADDRESSES, LOCATIONS, CANDELA, WATTAGE, CIRCUITS, ETC.
- DUCT DETECTOR INSTALLATION SHALL BE FIELD COORDINATED FOR CODE COMPLIANCE.
- ALL DETECTORS MUST BE RATED FOR TEMPERATURE IN THE ENVIRONMENT IN WHICH IT IS LOCATED.
- FOR ADDITIONAL INSTALLATION INSTRUCTIONS, REFER TO CATALOG SHEETS AND/OR INSTALLATION INSTRUCTIONS.
- PER NFPA 72 - FOR PROGRAMMABLE SYSTEMS: 10% OF EXISTING INITIATING DEVICES THAT ARE NOT DIRECTLY AFFECTED BY THE CHANGE (UP TO A MAX OF 50) ALSO SHALL BE TESTED AND CORRECT SYSTEM OPERATION SHALL BE VERIFIED.

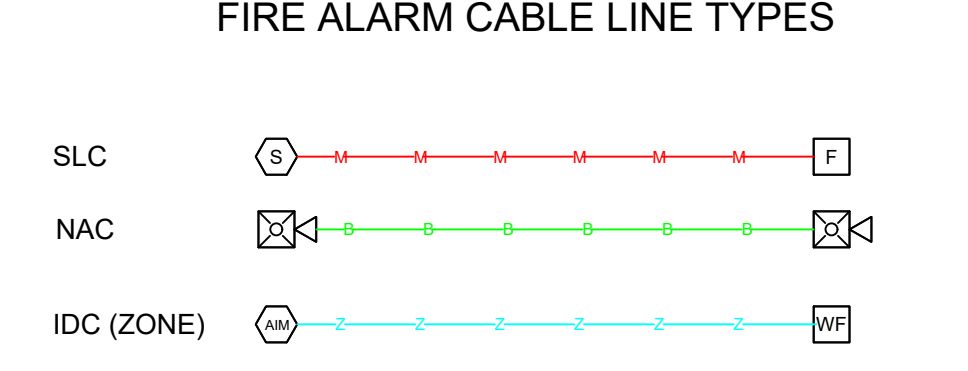


**CABLE AND WIRE LEGEND**

LABEL	PART NO.	AWG	RESISTANCE (OHM/FT)	DESCRIPTION	TOTAL LENGTH
B	G6004-1	14	3.07	2IC 14 AWG NIS FIRE PROTECTIVE SIGNALING POWER LIMITED CIRCUIT CABLE	631'
M	G50032-1	16	4.89	2IC 16 AWG NIS FIRE PROTECTIVE SIGNALING POWER LIMITED CIRCUIT CABLE	592'
Z	G50032-1	16	4.89	2IC 16 AWG NIS FIRE PROTECTIVE SIGNALING POWER LIMITED CIRCUIT CABLE	2'

**CONDUIT SCHEDULE**

SIZE	NAME	DESCRIPTION	INNER DIAMETER (IN)	TOTAL LENGTH
3/4"	EMT	ELECTRICAL METAL TUBING	0.82	219'-9"



**CODES AND STANDARDS FOR THIS PROJECT:**

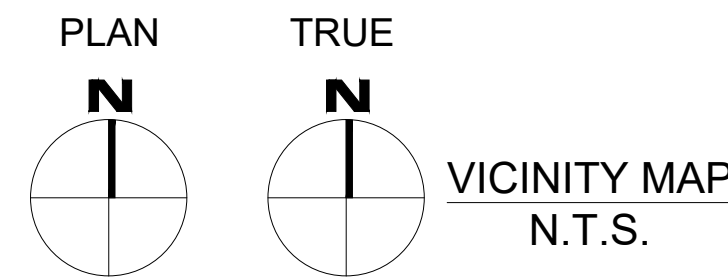
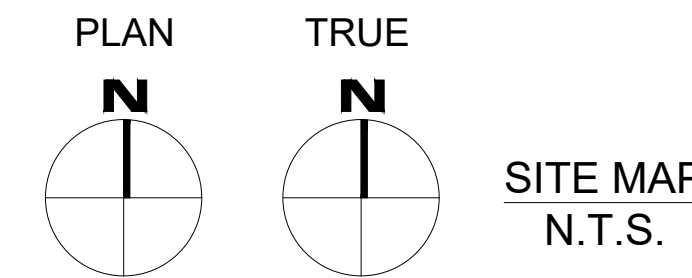
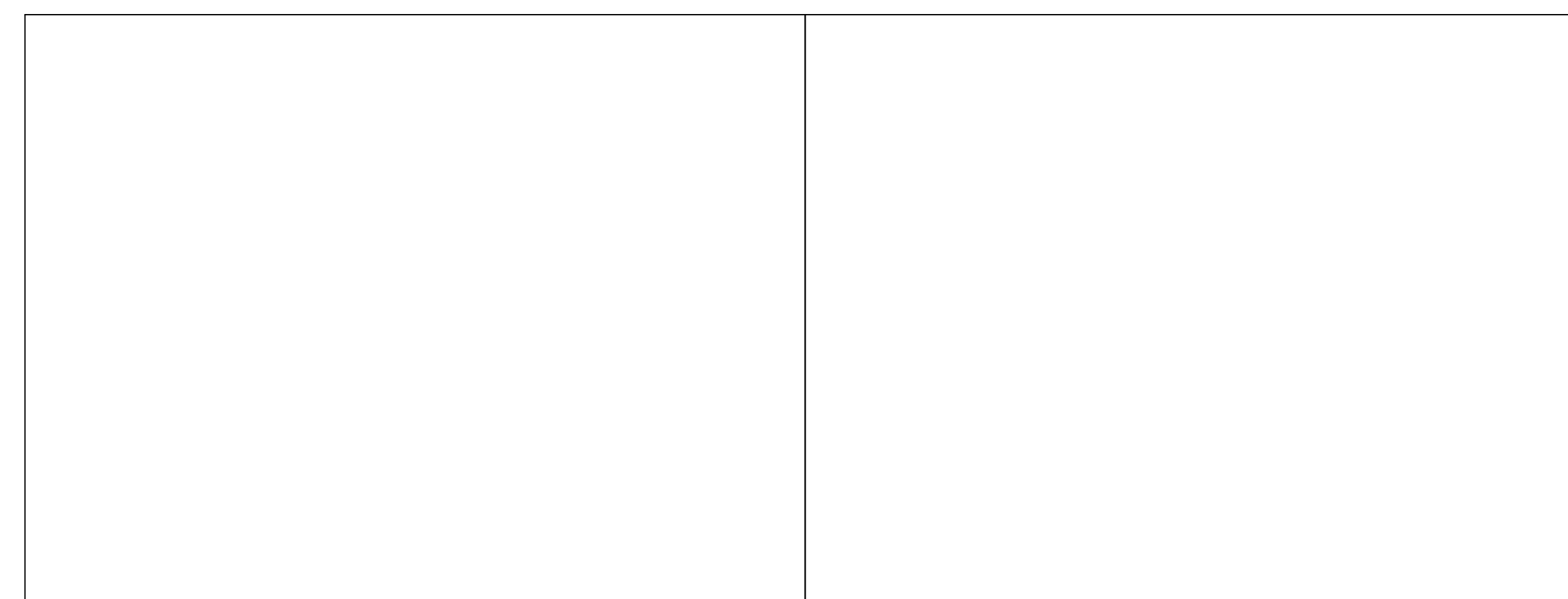
- 2015 INTERNATIONAL BUILDING CODE (IBC)
- 2015 INTERNATIONAL FIRE CODE (IFC)
- 2013 EDITION OF NFPA 70, NATIONAL ELECTRICAL CODE®
- 2014 EDITION OF NFPA 72, NATIONAL FIRE ALARM CODE®

**DRAWING REVISION LOG:**

REV.	DATE	DESCRIPTION
1	DD/MM/YYYY	INITIAL SUBMITTAL

**FIRE ALARM SHEET INDEX**

SHEET NUMBER	SHEET DESCRIPTION
FA-000	FIRE ALARM SYSTEM COVER SHEET
FA-100	FIRE ALARM SYSTEM FLOOR PLAN
FA-200	FIRE ALARM SYSTEM BATTERY & VOLTAGE DROP CALCULATIONS & RISER DIAGRAM
FA-300	FIRE ALARM SYSTEM MOUNTING HEIGHTS & PANEL DETAILS
FA-301	FIRE ALARM SYSTEM DEVICE TYPICALS
FA-302	FIRE ALARM SYSTEM DEVICE TYPICALS
FA-303	FIRE ALARM SYSTEM DEVICE TYPICALS



**DESIGN INFORMATION**

BUILDING/FIRE CODE	OTHER	NFPA 7205
OCCUPANCY GROUP	SUPPLY STATION	REMOATE
OCCUPANCY LOAD	SYSTEM TYPE	ANALOG ADDRESSABLE
SUPPLIER/PROTECTOR	FIRE ALARM CONTRACTOR INFORMATION	NAME
YOUR COMPANY NAME	YOUR COMPANY ADDRESS	YOUR COMPANY PHONE
YOUR COMPANY ADDRESS	YOUR COMPANY ADDRESS	YOUR COMPANY ADDRESS
YOUR COMPANY ADDRESS	YOUR COMPANY ADDRESS	YOUR COMPANY ADDRESS

**ISSUE DATE:**

CONTRACT NO.:	PROJECT NUMBER:
TASK ORDER NO.:	REVISION NUMBER:
FILE NAME:	

CONTRACTED WITH:  
YOUR CUSTOMER NAME  
YOUR CUSTOMER ADDRESS  
CUSTOMER CITY, STATE, ZIP  
CUSTOMER PHONE  
AHJ:

**FIRE ALARM SYSTEM FOR:**  
YOUR PROJECT NAME HERE  
1234 STREET AVE  
ANYWHERE, USA 12345

**SHEET IDENTIFICATION**  
FA-000  
FIRE ALARM SYSTEM COVER SHEET

SHEET 1 OF 7